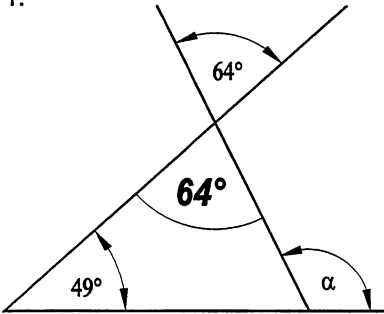


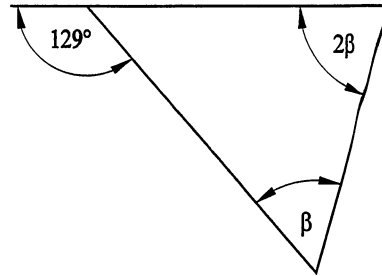
Übung: Innen- und Aussenwinkel im Dreieck

1.



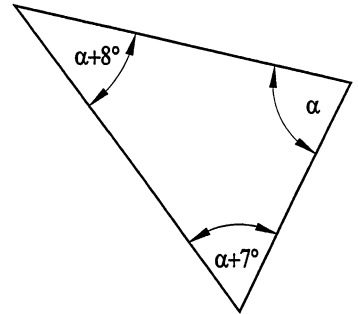
$$\alpha = 49^\circ + 64^\circ = 113^\circ$$

2.



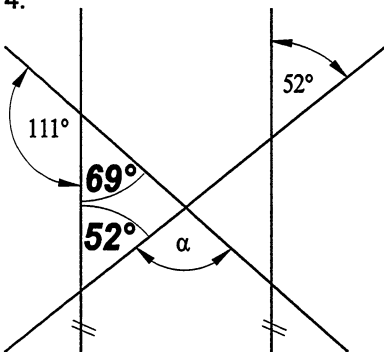
$$\beta = 129^\circ : 3 = 43^\circ$$

3.



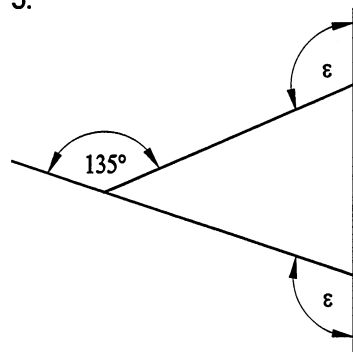
$$\alpha = (180^\circ - 15^\circ) : 3 = 55^\circ$$

4.



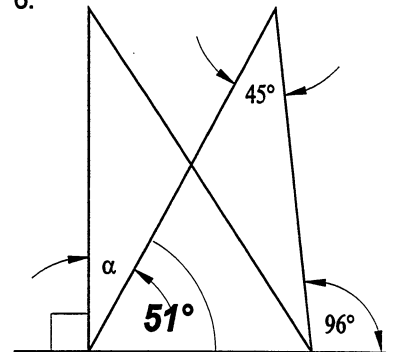
$$\alpha = 52^\circ + 69^\circ = 121^\circ$$

5.



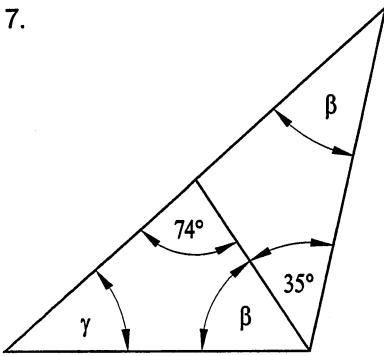
$$\epsilon = (360^\circ - 135^\circ) : 2 = 112.5^\circ$$

6.



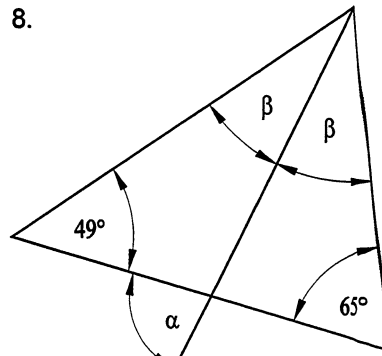
$$\alpha = 90^\circ - 51^\circ = 39^\circ$$

7.



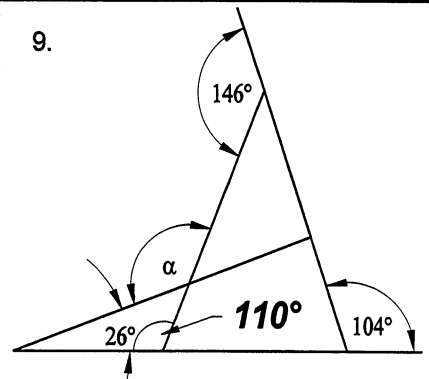
$$\beta = 39^\circ \quad \gamma = 67^\circ$$

8.



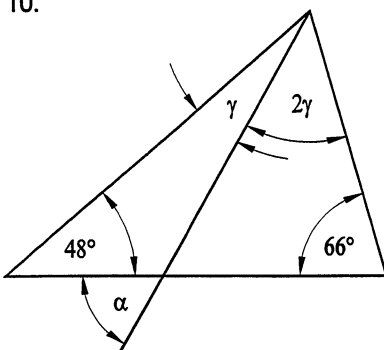
$$\alpha = 82^\circ \quad \beta = 33^\circ$$

9.



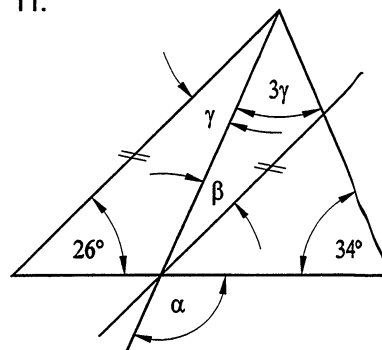
$$\alpha = 110^\circ + 26^\circ = 136^\circ$$

10.



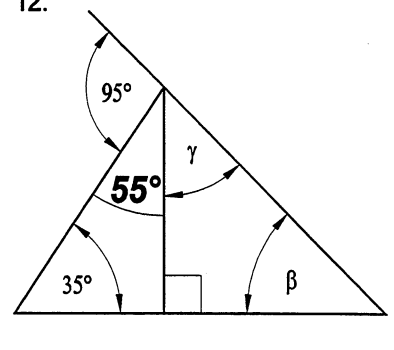
$$\alpha = 70^\circ \quad \gamma = 22^\circ$$

11.



$$\alpha = 124^\circ \quad \beta = 30^\circ \quad \gamma = 30^\circ$$

12.



$$\beta = 60^\circ \quad \gamma = 30^\circ$$